

## LM2480 80V Triple Bias Clamp

Check for Samples: [LM2480](#)

### FEATURES

- Wide Range Integrated Triple Bias Clamp
- High Input Impedance
- Single Supply Operation
- Matched to the LM126X Family of Preamplifiers

### RECOMMENDED APPLICATIONS

- CRT Monitors Requiring DC Restoration at the Cathodes

### Block Diagrams

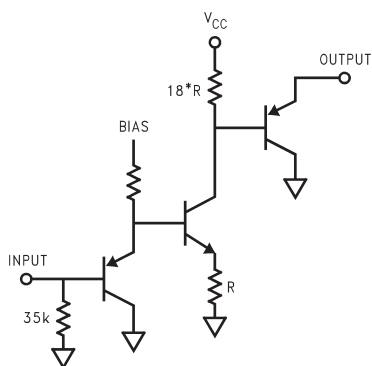


Figure 1. Simplified Schematic (One Channel)



These devices have limited built-in ESD protection. The leads should be shorted together or the device placed in conductive foam during storage or handling to prevent electrostatic damage to the MOS gates.

### DESCRIPTION

The LM2480 driver is an Integrated 80V triple bias clamp circuit for DC recovery of each of the AC coupled outputs of a CRT driver. It is well matched with the DAC outputs of the LM126X family of pre-amplifiers. Each amplifier has its gain internally set to -18. The IC is packaged in an industry standard 8 lead molded PDIP package.

### Package Pinout

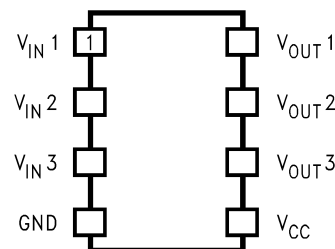


Figure 2. LM2480 Package Pinout - PDIP  
See Package Number P



Please be aware that an important notice concerning availability, standard warranty, and use in critical applications of Texas Instruments semiconductor products and disclaimers thereto appears at the end of this data sheet.

All trademarks are the property of their respective owners.

**ABSOLUTE MAXIMUM RATINGS**<sup>(1)(2)(3)</sup>

Supply Voltage, $V_{CC}$		+90V
Input Voltage, $V_{IN}$		0V to 5V
Storage Temperature Range, $T_{STG}$		-65°C to +150°C
Lead Temperature (Soldering, <10sec.)		300°C
ESD Tolerance	Machine Model	200V
	Human Body Model	2KV

- (1) Linearity Error is the variation in DC gain from  $V_{IN} = 1.0V$  to  $V_{IN} = 4.0V$ .  
 (2) If Military/Aerospace specified devices are required, please contact the Texas Instruments Sales Office/Distributors for availability and specifications.  
 (3) Absolute Maximum Ratings indicate limits beyond which damage to the device may occur.

**LIMITS OF OPERATING RANGES**<sup>(1)</sup>

$V_{CC}$	70V to 85V
$V_{OUT}$	10V to $V_{CC}$
Ambient Temperature Range, $T_A$	0 to 70°C

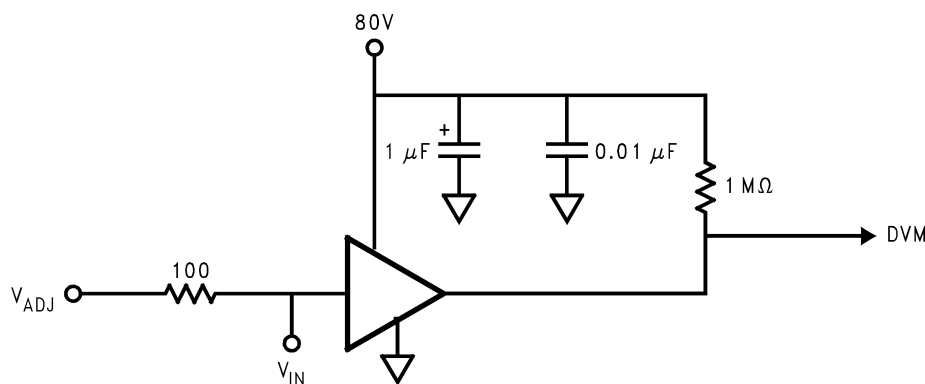
- (1) Operating Ratings indicate conditions for which the device is functional, but do not ensure specific performance limits. For ensured specifications and the test conditions, see the [Electrical Characteristics](#). The ensured specifications apply only for the test conditions listed. Some performance characteristics may change when the device is not operated under the listed test conditions.

**DC CLAMP ELECTRICAL CHARACTERISTICS TARGETS AND LIMIT**<sup>(1)</sup>

Unless otherwise noted:  $V_{CC} = +80V$ ,  $V_{IN} = 2.25V_{DC}$ ,  $T_A = 25^\circ C$ .

Symbol	Spec Parameter	Conditions	Min	Typ	Max	Units
$I_{CC}$	Supply Current	All channels		2.1	3.5	mA
$V_{OUT}$	DC Output Voltage		42	46	50	$V_{DC}$
$V_{OUT-Range}$	Output Voltage Range	$V_{IN}$ Range = 1.0V - 4.0V		53		V
$V_{OUTSAT}$	Max Saturation Limit	$V_{IN} = 4.0V$		16		$V_{DC}$
$A_V$	DC Voltage Gain		-16	-18	-20	
LE	Linearity Error	See Note <sup>(2)</sup>		5		%
$R_{IN}$	Input Resistance			34K		$\Omega$

- (1) All voltages are measured with respect to GND, unless otherwise specified.  
 (2) Linearity Error is the variation in DC gain from  $V_{IN} = 1.0V$  to  $V_{IN} = 4.0V$ .

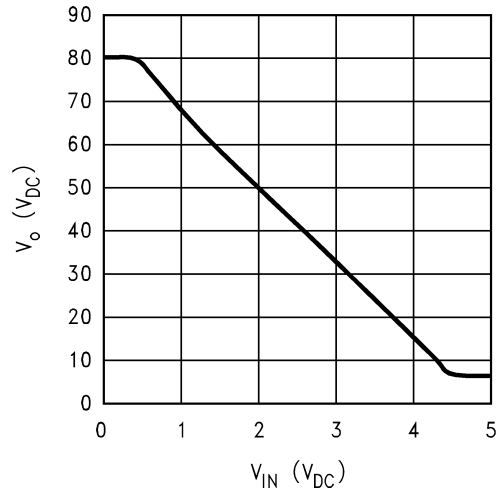
**TEST CIRCUIT**

**Figure 3. Test Circuit (One Channel)**

Figure 3 shows the test circuit for evaluation of the LM2480 Clamp Amplifier. A high impedance VM (>100M $\Omega$ ) is used for DC measurements at the output.

**TYPICAL PERFORMANCE CHARACTERISTICS**

( $V_{CC} = +80V$ ), Test Circuit - [Figure 3](#) unless otherwise specified.



**Figure 4.  $V_{out}$  vs  $V_{in}$**

## THEORY OF OPERATION

The circuit diagram of the LM2480 is shown in Figure 1. The DC clamp circuit amplifies the input signal by -18 and the gain is set by the resistor ratio of  $18R$  and  $R$ . The output requires pull-up resistor to 80V. Figure 3 shows the test circuit used for evaluation of the LM2480 Clamp Amplifier. A high impedance voltmeter ( $>100M\Omega$ ) is used for DC measurements at the output. The DC transfer function is shown in Figure 4.

## APPLICATION HINTS

### POWER SUPPLY BYPASS

The LM2480 should have proper power supply bypassing for optimum performance. A  $0.1\mu\text{F}$  capacitor should be connected from the supply pin,  $V_{\text{CC}}$ , to ground, as close to the supply and ground pins as is practical. Additionally, a  $1.0\mu\text{F}$  electrolytic capacitor should be connected from the supply pin to ground. The electrolytic capacitor should also be placed reasonably close to the LM2480's supply and ground pins.

### APPLICATION CIRCUIT

The application circuit shown in Figure 5 is designed to help clamp the voltage at the output of the driver to the desired level. Capacitor  $C_4$  stabilizes the entire node at the anode of the clamp diode,  $D_3$ , by creating a low impedance at high frequencies. Figure 5 also shows the standard application circuit topology when used with an LM246X CRT driver. It shows all the components necessary to optimize performance as well as to protect against damage from a CRT arc event. No additional components are required to protect the LM2480 from arc damage.

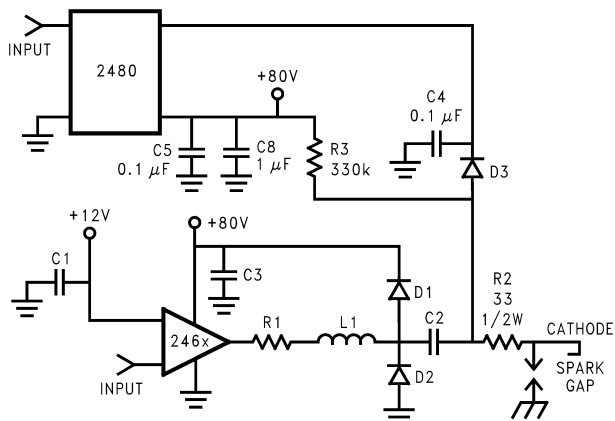


Figure 5. One Channel of the LM2480 and LM246X Application Circuit

### DEMONSTRATION HARDWARE

Texas Instruments has designed a demonstration neckboard for the LM126X, LM246X, and the LM2480 chipset. To obtain demonstration boards contact the Texas Instruments Sales Office in your region.

---

**REVISION HISTORY**

<b>Changes from Revision C (April 2013) to Revision D</b>	<b>Page</b>
<hr/> <ul style="list-style-type: none"><li>• Changed layout of National Data Sheet to TI format .....</li></ul>	<hr/> <b>4</b>

## IMPORTANT NOTICE

Texas Instruments Incorporated and its subsidiaries (TI) reserve the right to make corrections, enhancements, improvements and other changes to its semiconductor products and services per JESD46, latest issue, and to discontinue any product or service per JESD48, latest issue. Buyers should obtain the latest relevant information before placing orders and should verify that such information is current and complete. All semiconductor products (also referred to herein as "components") are sold subject to TI's terms and conditions of sale supplied at the time of order acknowledgment.

TI warrants performance of its components to the specifications applicable at the time of sale, in accordance with the warranty in TI's terms and conditions of sale of semiconductor products. Testing and other quality control techniques are used to the extent TI deems necessary to support this warranty. Except where mandated by applicable law, testing of all parameters of each component is not necessarily performed.

TI assumes no liability for applications assistance or the design of Buyers' products. Buyers are responsible for their products and applications using TI components. To minimize the risks associated with Buyers' products and applications, Buyers should provide adequate design and operating safeguards.

TI does not warrant or represent that any license, either express or implied, is granted under any patent right, copyright, mask work right, or other intellectual property right relating to any combination, machine, or process in which TI components or services are used. Information published by TI regarding third-party products or services does not constitute a license to use such products or services or a warranty or endorsement thereof. Use of such information may require a license from a third party under the patents or other intellectual property of the third party, or a license from TI under the patents or other intellectual property of TI.

Reproduction of significant portions of TI information in TI data books or data sheets is permissible only if reproduction is without alteration and is accompanied by all associated warranties, conditions, limitations, and notices. TI is not responsible or liable for such altered documentation. Information of third parties may be subject to additional restrictions.

Resale of TI components or services with statements different from or beyond the parameters stated by TI for that component or service voids all express and any implied warranties for the associated TI component or service and is an unfair and deceptive business practice. TI is not responsible or liable for any such statements.

Buyer acknowledges and agrees that it is solely responsible for compliance with all legal, regulatory and safety-related requirements concerning its products, and any use of TI components in its applications, notwithstanding any applications-related information or support that may be provided by TI. Buyer represents and agrees that it has all the necessary expertise to create and implement safeguards which anticipate dangerous consequences of failures, monitor failures and their consequences, lessen the likelihood of failures that might cause harm and take appropriate remedial actions. Buyer will fully indemnify TI and its representatives against any damages arising out of the use of any TI components in safety-critical applications.

In some cases, TI components may be promoted specifically to facilitate safety-related applications. With such components, TI's goal is to help enable customers to design and create their own end-product solutions that meet applicable functional safety standards and requirements. Nonetheless, such components are subject to these terms.

No TI components are authorized for use in FDA Class III (or similar life-critical medical equipment) unless authorized officers of the parties have executed a special agreement specifically governing such use.

Only those TI components which TI has specifically designated as military grade or "enhanced plastic" are designed and intended for use in military/aerospace applications or environments. Buyer acknowledges and agrees that any military or aerospace use of TI components which have **not** been so designated is solely at the Buyer's risk, and that Buyer is solely responsible for compliance with all legal and regulatory requirements in connection with such use.

TI has specifically designated certain components as meeting ISO/TS16949 requirements, mainly for automotive use. In any case of use of non-designated products, TI will not be responsible for any failure to meet ISO/TS16949.

### Products

Audio	<a href="http://www.ti.com/audio">www.ti.com/audio</a>
Amplifiers	<a href="http://amplifier.ti.com">amplifier.ti.com</a>
Data Converters	<a href="http://dataconverter.ti.com">dataconverter.ti.com</a>
DLP® Products	<a href="http://www.dlp.com">www.dlp.com</a>
DSP	<a href="http://dsp.ti.com">dsp.ti.com</a>
Clocks and Timers	<a href="http://www.ti.com/clocks">www.ti.com/clocks</a>
Interface	<a href="http://interface.ti.com">interface.ti.com</a>
Logic	<a href="http://logic.ti.com">logic.ti.com</a>
Power Mgmt	<a href="http://power.ti.com">power.ti.com</a>
Microcontrollers	<a href="http://microcontroller.ti.com">microcontroller.ti.com</a>
RFID	<a href="http://www.ti-rfid.com">www.ti-rfid.com</a>
OMAP Applications Processors	<a href="http://www.ti.com/omap">www.ti.com/omap</a>
Wireless Connectivity	<a href="http://www.ti.com/wirelessconnectivity">www.ti.com/wirelessconnectivity</a>

### Applications

Automotive and Transportation	<a href="http://www.ti.com/automotive">www.ti.com/automotive</a>
Communications and Telecom	<a href="http://www.ti.com/communications">www.ti.com/communications</a>
Computers and Peripherals	<a href="http://www.ti.com/computers">www.ti.com/computers</a>
Consumer Electronics	<a href="http://www.ti.com/consumer-apps">www.ti.com/consumer-apps</a>
Energy and Lighting	<a href="http://www.ti.com/energy">www.ti.com/energy</a>
Industrial	<a href="http://www.ti.com/industrial">www.ti.com/industrial</a>
Medical	<a href="http://www.ti.com/medical">www.ti.com/medical</a>
Security	<a href="http://www.ti.com/security">www.ti.com/security</a>
Space, Avionics and Defense	<a href="http://www.ti.com/space-avionics-defense">www.ti.com/space-avionics-defense</a>
Video and Imaging	<a href="http://www.ti.com/video">www.ti.com/video</a>

### TI E2E Community

[e2e.ti.com](http://e2e.ti.com)